

Bolt/Screw Extractors

Pow-R-Outs™

Double-Edge Bolt and Screw Extractors

The Easiest, Most Reliable Tool for Removing Broken Bolts

TMC's amazing and patented double-edged Pow-R-Outs™ broken bolt/screw extractors are made from hardened chrome vanadium with a burnished finish. The razor-sharp cutting edges are polished and the dimensions are laser marked on the shank for easy identification. Pow-R-Outs™ are incredibly easy to use and are virtually guaranteed to get your broken bolts out faster than any other remover on the market. The high hex head allows for the strongest reversing torque on the broken bolt because you can use a wrench, socket and ratchet and even a breaker bar for those stubborn cases. To use, simply drill recommended hole with left-hand drill bit and tap Pow-R-Outs™ in with hammer, put a wrench on it and crack it loose with a wrench and it's out!



Features:

- Fast and Easy to Use – Pow-R-Outs™ will always be the first extractor you grab for
- Unique Double Edge Design – The only extractors that remove both left and right thread bolts/screws
- Non-Slip Engagement – No other bolt/screw extractor provides a stronger grip
- Rugged, Hardened Steel Alloy – Cuts into stainless steel and high strength cap screws with ease
- Won't Damage Threads – Eliminates risk of having to re-tap holes



- Convenient Storage Pouch – Safely stores 5 most popular sizes
- Clearly Superior to Popular Designs – Easily outperforms spiral, square, left hand drill and combo designs

Applications:

- Broken Bolts
- Broken Cap Screws
- Broken Screws
- Rounded Heads
- Stripped Socket Cap Screws
- Stripped Pipe Plugs
- Stripped Slotted, Phillips, Torx Screws
- Damaged Screw Heads
- Rounded Bolt Heads
- Rounded Square Plug Heads
- Automotive
- Fleet
- Marine
- Industrial
- Machinery
- Equipment
- Biomedical

No.	Description	From Bolt/Screw Size	Left/Hand Drill Size	No.	Qty
95941	Double-Edged Screw Extractor Set	#10 to 3/4"	-	-	1
26011	Double-Edged Screw Extractor #1	#10 to 1/4"	1/8"	15944	1
26012	Double-Edged Screw Extractor #2	5/16" to 3/8"	3/16"	15948	1
26013	Double-Edged Screw Extractor #3	7/16" to 1/2"	1/4"	15953	1
26014	Double-Edged Screw Extractor #4	1/2" to 9/16"	11/32"	15959	1
26015	Double-Edged Screw Extractor #5	5/8" to 3/4"	7/16"	15965	1

Tap Extractors

Tap Extractors



Remove Broken Taps and Save the Threads!

TMC's tap extractors let you remove broken taps without drilling, lasers, damaged threads, scrapped parts or repair inserts.

Features:

- Hardened Steel Fingers – Fit in the flutes of a broken tap to back it out simply and safely

Applications:

- Removing a broken tap from a cylinder head
- Extracting a broken tap from a cast part

No.	Description	Qty
52485	#4 Tap Extractors - 3 Flute	1
52486	#5 Tap Extractors - 3 Flute	1
52487	#6 Tap Extractors - 3 Flute	1
52491	#6 Tap Extractors - 4 Flute	1
52492	#8 Tap Extractors - 4 Flute	1
52493	#10 Tap Extractors - 4 Flute	1
52494	#12 Tap Extractors - 4 Flute	1
52495	1/4" Tap Extractors - 4 Flute	1
52496	5/16" Tap Extractors - 4 Flute	1
52497	3/8" Tap Extractors - 4 Flute	1
52498	7/16" Tap Extractors - 4 Flute	1
52499	1/2" Tap Extractors - 4 Flute	1
52500	5/8" Tap Extractors - 4 Flute	1
52501	3/4" Tap Extractors - 4 Flute	1

No.	Description	Qty
97312	6 Piece Tap Extractor Set	1
97313	13 Piece Tap Extractor Set	1

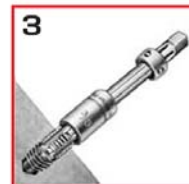
Remove Broken Taps Easily in 3 Simple Steps!



1
Thoroughly remove all chips of the broken tap. Insert the extractor fingers into the flutes of the broken tap, pushing them gently but firmly into position.



2
Push the holder down until it touches the broken tap. Slide the sleeve down until it touches the work. (Both are important.)



3
Apply a tap wrench to the square end of the holder. Twist forward and backward a few times to loosen, then back out the broken tap.

Tap Extractor Replacement Fingers

When fingers become bent or broken or are too short for further use, order replacement fingers listed below. They are sold as one set of 3 or 4 depending on tap extractor.



No.	Description	Qty
52488	#4 Replacement Fingers - 3 Flute	3
52489	#5 Replacement Fingers - 3 Flute	3
52490	#6 Replacement Fingers - 3 Flute	3
52502	#6 Replacement Fingers - 4 Flute	4
52503	#8 Replacement Fingers - 4 Flute	4
52504	#10 Replacement Fingers - 4 Flute	4
52505	#12 Replacement Fingers - 4 Flute	4

No.	Description	Qty
52506	1/4" Replacement Fingers - 4 Flute	4
52507	5/16" Replacement Fingers - 4 Flute	4
52508	3/8" Replacement Fingers - 4 Flute	4
52509	7/16" Replacement Fingers - 4 Flute	4
52510	1/2" Replacement Fingers - 4 Flute	4
52511	5/8" Replacement Fingers - 4 Flute	4
52512	3/4" Replacement Fingers - 4 Flute	4

Pipe, Stud & Screw Extractors



Remove Broken Taps and Save the Threads!

TMC's tap extractors let you remove broken taps without drilling, lasers, damaged threads, scrapped parts or repair inserts.

Features:

- Four Point Grip – Assures strong bite
- Works with a Shallow Grip – Reducing expansion and jamming
- Pulls Rather Than Reams
- Releases Instantly from Bite after Job is Completed
- Designed for Strength – Durability and Easy Handling
- Rust-Resistant – Black oxide finish
- All 9 Extractors – Fits every size and class of pipe from 1/8" to 2"
- The Same Set of Tools Fits Every Stud and Screw from 3/8" to 3-1/2"

Applications:

- Pipes
- Studs
- Screws

No.	Description	Qty
52513	#1 Pipe Extractor	1
52514	#2 Pipe Extractor	1
52515	#3 Pipe Extractor	1
52516	#4 Pipe Extractor	1
52517	#5 Pipe Extractor	1
52518	#6 Pipe Extractor	1
52519	#7 Pipe Extractor	1
52520	#8 Pipe Extractor	1
52521	#9 Pipe Extractor	1

No.	Description	Qty
97314	5 Piece Pipe Extractor Set	1
97315	7 Piece Pipe Extractor Set	1

Angle Prybar/File Handles

Pry-Angle™

Adjustable Angle Prybar

Unique Claw Head Angles and Locks into 5 Positions

Features:

- Clawhead is indexed to lock into 5 positions: 180° (straight), 155°, 130°, 105°, and 80°
- Super tough locking mechanism with thumb lever allows one-handed angle changes
- Industrial quality high carbon steel construction meets ANSI standard, rated at 300 foot/lbs. torque



No.	Description	Qty
83069	16" Pry-Angle™ Prybar	1
83070	20" Pry-Angle™ Prybar	1

Ergonomic File Handle

For Comfortable Production Filing

Protect Your Hands and Be More Efficient with Ergonomic File Handles!

The Ergonomic File Handle's design incorporates the natural wrist angle of approximately 35°. The handle is constructed such that the tool's axis is better aligned with the forearm, significantly reducing muscle fatigue. It allows the operator to rotate the arm slightly to change the angle of the file, while still applying the necessary pressure to keep the file in contact with the work piece. Studies show that even repetitive filing jobs have become more comfortable, safe and efficient as a result of this design.



No.	Description	Qty
52526	4" Ergonomic File Handle	1
52527	6" & 8" Ergonomic File Handle	1
52528	10" & 12" Ergonomic File Handle	1
52529	14" Ergonomic File Handl	1

NES External Thread Repair Tools

External Universal Thread Repair Tools

Instant Repair to Damaged Fastener Threads

Features:

- One tool restores inch and metric right hand or left hand fastener threads
- No calibration required
- Self adjusting to any pitch and size within range
- Automatically chases good fastener threads to repair the damage
- Hardened cutting blades (HSS)
- Removes rust and burrs

Applications:

Ideal tools for saving money and time during maintenance, plumbing, construction, agriculture, car repair and many other applications where components with a damaged fastener thread.



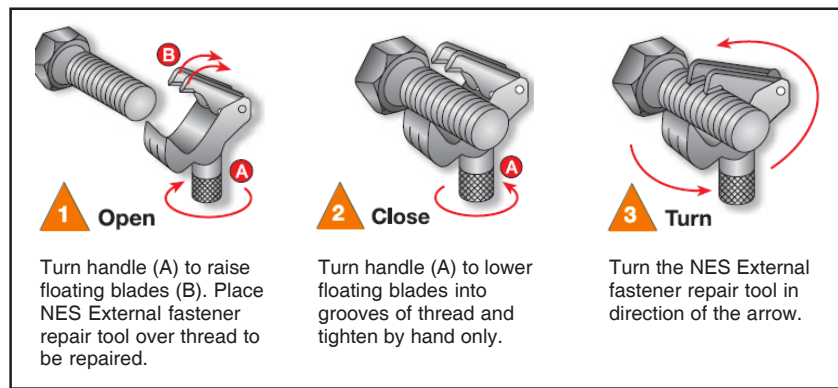
No. 83968



No.	Description	Pipe Threads
83968	1/4" - 3/4" (6mm - 19mm) External Universal Thread Repair Tool	Up to 1/2"
83969	1 1/16" - 1-1/2" (17mm - 38mm) External Universal Thread Repair Tool	3/8" - 1-1/8"
83961	2-Pack Replacement Blades for External Restorers	



No. 83969



NES Internal Thread Repair Tools

SHOP SUPPLIES & MISC.

X-6

Internal Universal Thread Repair Tools

Instant Repair to Damaged Fastener Threads

Features:

- One tool restores inch and metric right hand or left hand fastener threads
- No calibration required
- Self adjusting to any pitch and size within range
- Automatically chases good fastener threads to repair the damage
- Hardened cutting blades (HSS)
- Removes rust and burrs
- Yellow nylon pads – essential when repairing fasteners threads in soft metal



No. 83959

Applications:

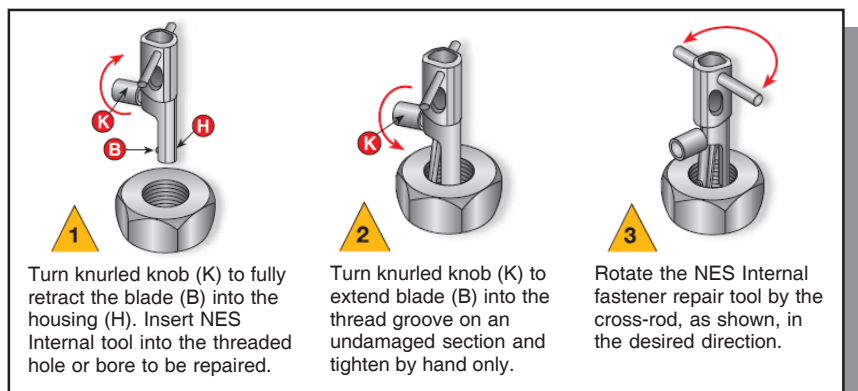
Ideal tools for saving money and time during maintenance, plumbing, construction, agriculture, car repair and many other applications where components with a damaged fastener thread.



No.	Description	Pipe Threads
83957	1/2" - 5/8" (12mm - 16mm) Internal Universal Thread Repair Tool	1/4" - 3/8"
83958	11/16" - 13/16" (16mm - 20mm) Internal Universal Thread Repair Tool	3/8" - 1/2"
83959	7/8" - 1-1/4" (22mm - 32mm) Internal Universal Thread Repair Tool	1/2" - 7/8"
83966	1/4 - 3/4" External and 1/2 - 13/16" Internal 3-Pc Combo Set - Contains 83968, 83957 and 83958	
83971	2-Pack Replacement Blades for Internal Restorers	



No. 83966



THE MAINTENANCE CONNECTION
©2008 The Maintenance Connection, Inc.



(888) 298-8585 • Fax (207) 857-9221
www.TheMaintenanceConnection.com

LockJaw™ Self-Adjusting Pliers

SHOP SUPPLIES & MISC.

X-7

LockJaw™ Self-Adjusting Pliers

Self-Adjusting Locking Pliers

Features:

- This revolutionary self-adjusting capability makes jobs faster and easier
- Heavy duty steel construction
- Patented locking mechanism allows the jaws to automatically adjust to any size with equal pressure – no knob hassle
- Easy squeeze comfort release lever stays locked until you release it
- Set and forget pressure control – dial in the amount of gripping force from slight to extreme and forget it, regardless of the size of object you want to grab
- No slip texture grip
- Meets and exceeds all ANSI and ASME standards
- Limited lifetime warranty



Applications:

Ideal tools for saving money and time during maintenance, plumbing, construction, agriculture, car repair and many other applications.

No.	Description
83486	10" Curved Jaw Self-Adjusting Plier
83487	6" Curved Jaw Self-Adjusting Plier
83488	7" Needle Nose Self-Adjusting Plier
83489	Self-Adjusting Pliers 3-Piece Set (includes 6" and 10" Curved Jaw and 7" Needle Nose)
83538	Self-Adjusting Pliers 2-Piece Set (includes 6" and 10" Curved Jaw)
83539	Self-Adjusting Pliers 2-Piece Set (includes 10" Curved and 7" Needle Nose)



No. 83487



No. 83486



No. 83488

102208

THE MAINTENANCE CONNECTION
©2008 The Maintenance Connection, Inc.



(888) 298-8585 • Fax (207) 857-9221
www.TheMaintenanceConnection.com

CenterPoint® ProTape® Tape Measure

SHOP SUPPLIES & MISC.

CenterPoint® ProTape® Tape Measure

The Simple, Accurate Way to Find the Center Fast

Features:

- 1" x 25'
- Ergonomic case design with molded rubber grip
- Triple rivet hook connection
- Active bumper

Applications:

- Electrical
- Woodworking
- Remodeling
- Cabinet Design
- Plumbing
- Tile and Brick Work
- Interior Decorating



No.	Description	Qty
83366	CenterPoint® ProTape® Tape Measure	1

X-8

How the patented Center-Finding scale works:

First measure the distance...

...Then find the same number on the bottom scale
THIS IS THE CENTER!

THE MAINTENANCE CONNECTION
©2008 The Maintenance Connection, Inc.



(888) 298-8585 • Fax (207) 857-9221
www.TheMaintenanceConnection.com

010109

ProGrabit® Broken Bolt Extractors

ProGrabit® Broken Bolt Extractors

A Drill Bit and Extractor All in One!

ProGrabit® Extractors work on damaged screws and broken bolts from as small as a #4 screw to as large as a 3/8" bolt.

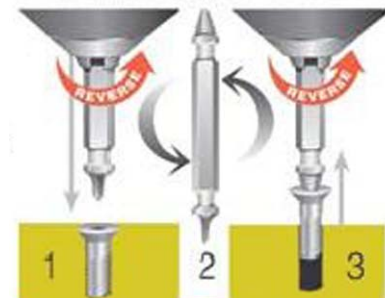
Features:

- Quickly and easily removes most damaged screws such as Hex, Phillips, Torx, Square Drive; sizes #4 to #24 from wood, plastic or metal.
- Two-step, drill bit and extractor in one tool extracts broken bolts and damaged screws fast; use in reverse only with 3/8" variable speed reversible power drill.
- Drills up to grade 8 and 10.0 class fasteners; extracts bolt sizes #10 to 3/8" (5mm - 10mm)
- Precision engineered for multiple extractions and maximum performance; self centering drill tip, no walking or wandering; works on jagged, uneven rough breaks. No grinding or center punching required.
- Professional grade multi-purpose extractors compatible with "quick-connect" chuck systems or can be directly chucked into drill.



ProGrabit®
Broken Bolt Extractor

1. Burnish 2. Flip tool 3. Extract



Applications:

- Broken Bolts and Screws
- Broken Cap Screws
- Rounded Heads
- Stripped Socket Cap Screws
- Stripped Pipe Plugs
- Stripped Slotted, Phillips, Torx Screws
- Damaged Screw Heads
- Rounded Bolt Heads
- Automotive
- Fleet
- Marine
- Industrial
- Machinery
- Equipment
- Biomedical

No.	Description	Qty
95948	ProGrabit® 4-Piece Extractor Kit Sizes #4 Screws to 3/8" Bolts	1
26016	ProGrabit® Screw Extractor #4 to #6-7	1
26017	ProGrabit® Screw Extractor #8 to #9-10	1
26018	ProGrabit® Screw Extractor #11-12 to 1/4"	1
26019	ProGrabit® Screw Extractor 5/16" to 3/8"	1



**4-Piece
Extractor Kit**

Clamp-It™ Tool

Clamp-It™ Tool

Clamp or Band Anything . . . Any Size . . . Any Shape . . . Any Where!

The Clamp-It™ Tool provides a means for tightening wires wrapped around an object and then locking it in place. The tool can be used with various wire sizes which eliminate space and strength issues often encountered with screw operated worm gear type clamps.



Features:

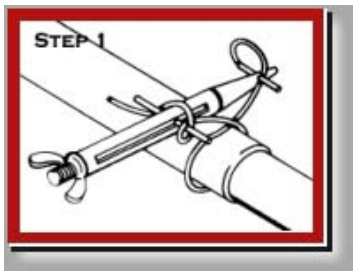
- Machined stainless steel with a one piece body nose and bronze nut with an added extension. Extension provides a great place to tie a lanyard.
- Seal a full 360 degrees with no flat spots and can be used to band any type or size material.
- Replaces ineffective or damaged conventional hose clamps with a temporary or permanent clamping mechanism formed from stainless steel safety wire.
- Provides a means for tightening wires wrapped around an object and then locking it in place.
- 5-1/4" long; 7-1/2" fully extended
- Designed to work with any solid core wire, not stranded or loose wire.

Applications:

- Quick and effective emergency leak repair or a bullet proof means for securing nearly any material from rubber hoses to spliced wires

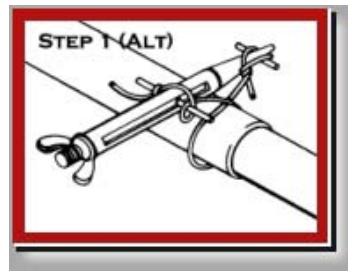
No.	Description	Qt
26100	Clamp-It™ Tool	1

SINGLE-WRAP INSTRUCTIONS (Lube threads before using)



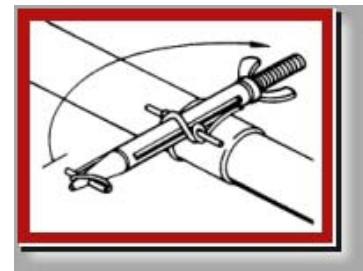
STEP 1

Insert end of wire into front pin on the left hand side. Bring wire over the nose and in front of forward pin on the right hand side. Wrap wire around hose (as many wraps as desired). Bring wire over the top of the wraps and around the rear pin on the right hand side. Take wire over the top of the tool and around the pin on the left hand side.



STEP 1 (ALTERNATE)

Place loop of wire around nose and twist to tighten. Wrap wire around hose (as many wraps as desired). Bring wire over the top of the wraps and around the rear pin on the right hand side. Take wire over the top of the tool and around the pin on the left hand side.

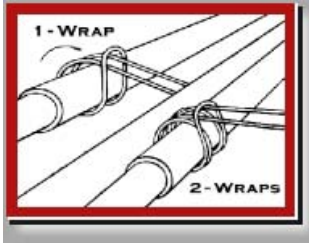


STEP 2

Turn wing nut to tighten. When clamp has reached desired tension, rotate tool 180 degrees to lock clamp. Loosen wing nut and remove Clamp-It tool. Clip wire ends about 1/4 inch from clamp and push down towards hose.

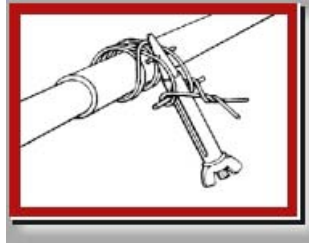
Clamp-It™ Tool Cont'd.

DOUBLE-WRAP INSTRUCTIONS



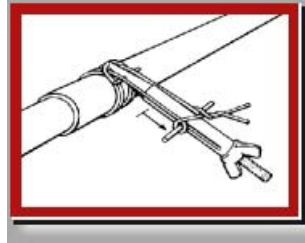
STEP 1

Cut wire to length (4 times around project plus 12" for tool). Fold wire in half, tape or wire nut ends together. Wrap around hose where you want a clamp. Tuck ends through the loop.



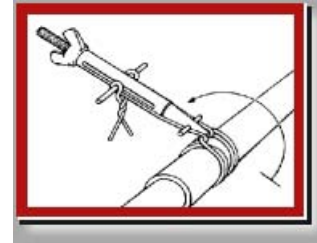
STEP 2

Continue to wrap around in the same direction (inside the first wrap). Tuck thru loop again and remove tape or wire nut. Place tool as shown with wire over front pin and around rear pin. Twist ends together tightly about 6 twists as close to the body of the tool as possible.



STEP 3

Place notch at end of tool against the wire loop. Turn wing nut clockwise to tighten (right hand threads).



STEP 4

Rotate tool over to lock the clamp bending wires back over themselves. Loosen wing nut and remove the clamp tool. Clip off wire ends about 1/4 inch from clamp and push ends down against the hose.

Use .032 wire: for small hoses (clamps) smaller than 1/2" dia., for very small attachments (mechanical), and small projects.

Use .041 wire: for hoses (clamps) smaller than 1 1/2" dia.; for small attachments (mechanical); for non-structural projects.

Use .051 wire: for hoses (clamps) larger than 1 1/2" dia.; for wire wound or stiff hoses; for structural attachments (mechanical).

Use .062 wire: for hoses (clamps) for very large hoses (clamps) like 3-6" dia.; pvc or large irrigation pipe; larger structural projects (mechanical) like posts/uprights for load bearing.

Use .090 wire: for large structural projects/repairs (mechanical) and load bearing projects.

Stainless Steel 304 Wire

Features:

- 1 lb. spools of stainless steel 304 wire

No.	Description	Dia. Inches	Approx. Length	Qty
60100	18 Gauge S/S 304 wire	.047	164 feet	1
60102	16 Gauge S/S 304 Wire	.062	97.8 feet	1
60104	20 Gauge S/S 304 Wire	.032	362 feet	1



Miscellaneous Tools

Recip-R-Scraper™

Does the Work for You With Less Effort and Less Time!

Recip-R-Scraper is designed to fit easily and securely into all brands of reciprocating saws to provide you with the power you need to get your scraping done fast.

Features:

- No more chemicals or hand scraping
- 4" and 6" wide
- Resharpenable blade
- Fast, easy and saves money

Applications:

- Linoleum
- Paint
- Rubber Backed Carpet
- Vinyl Flooring
- Wallpaper



No.	Description	Qty
26999	2" Recip-R-Scraper™	1
27000	4" Recip-R-Scraper™	1
27002	6" Recip-R-Scraper™	1

Pocket Infrared Temperature Gauge

Compact Pocket-Size IR Laser Thermometer

Features:

- Temperature range -27° to 428°F (-33° to 220°C)
- Accuracy of +/-2% of reading or +/-2°C
- 0.1° resolution for accurate readings
- Selectable temperature units F/C
- 1:1 Optics (distance-to-spot size ratio)
- Emissivity preset to 0.95
- LCD display
- Metal alloy case
- Lithium batteries 2 ea. LR44 batteries included typically provide for 180 hours of continuous operation
- Low battery indication
- Automatic power OFF after 15 seconds



No.	Description	Qty
83066	Pocket Infrared Temperature Gauge	1

6" Digital Calipers

Features:

- Stainless steel construction
- Super large LCD display
- Plastic storage case with caliper measuring guide
- Measurement conversion button
- Built-in RS-232 port
- Knurled thumb roller
- Auto shut-off
- 4 way measurement: Inside / Outside / Depth / Step
- Repeatability: 0.0005" / 0.01mm
- Accuracy: +/-0.001" / 0.02mm
- Positive lock
- Zero reset button
- Power: (1) 1.55V SR-44 battery
- Extra battery included



No.	Description	Qty
83064	6" Digital Calipers	1